

## CMS10 / CMF5

### Counting modules

Counting modules suitable to count screws, nails, rivets and other hardware in pre-set quantity. CMS10 is used to count head screws while CMF5 is specific for flat products.



CMS10



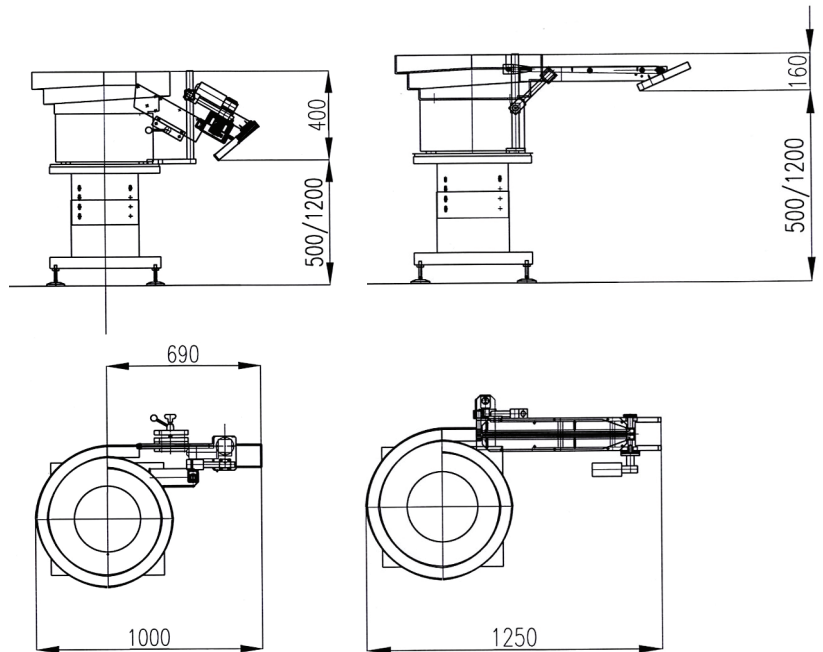
CMF5





## TECHNICAL FEATURES

- Torsional electromagnetic vibrator diam. Ø 350-900 mm.
- Bowl for flat products, for head screws or Habasit-lined.
- Electronic panel with modular cards.
- Modules controlled by Imanpack microprocessor.
- Photoelectric light barrier to count products.
- Motorized transport belt with different speeds to select products; container with two adjustments for product selection (CMF5).
- Sloping conveyor with photocell for product overload detection.
- Rotating plate for screws complete with anti-stop clutch (CMS10).
- Optional Check-weigher and Zero Defect systems.
- Easily connectable to conveyors, scales and wrappers.
- Machine built according to CE regulations.



**CMS10**

**CMF5**

layout

# imanpack

**PACKAGING & ECO SOLUTIONS**

Via Lago di Bolsena, 19 36015 Schio (VI) ITALY  
 Tel. +39.0445.578.811 Fax+39.0445.575.111  
 www.imanpack.it email: info@imanpack.it